



QL Series Precision Chemical Filter



GUANGDONG QEEHUA INDUSTRY EQUIPMENT CO., LTD.

Precision plastic filter Suitable for various chemical liquid filtration

A variety of filter media options to meet the needs of various working conditions.
Filtration accuracy can reach 0.5 μm , ensuring high-precision filtration of chemical liquid.



Series Model

Main Material	Model	Filter Cartridge Filtration Capacity (L/min)														Parameters Apply To Specific Gravity Range
		50	100	150	200	250	300	350	400	450	500	550	600	650	700	
PPH	QL-1001	26														<1.2
	QL-1002	28														
	QL-1004	63														
	QL-2001	30														
	QL-2002	58														
	QL-2004	80														
	QL-2006	203 233														
	QL-2008	258 336														
	QL-2012	418														
	QL-2018	523														
	QL-3018	733														



QL Series Exploded View



① Top Cover Handle

④ Drain Valve

⑦ Top Cover

⑩ Cartridge Tube

② SUS Clamp

⑤ Pressure Gauge

⑧ Cover Gasket

⑪ Cartridge

③ Filter Housing

⑥ Air Release Valve

⑨ Lock Cap

⑫ Inlet

QL 1001-3018

Plastic Chemical Filter

Product Feature

- 1.The main body of the filter is integrally injection-molded with pure PPH material, and the thickness of the thick chamber is 22mm, which is resistant to high temperature, strong acid & alkali, and pressure.
- 2.50mm thick pure PPH plate cover can be used, high temperature resistance, strong acid and alkali resistance, pressure resistance
- 3.A variety of filtration way can be selected to meet the needs of various working conditions.
- 4.Filtration accuracy can reach 0.5 μm , ensuring high-precision filtration of chemical liquid.



Product Specification List

Item/Model	QL-1001	QL-1002	QL-1004	QL-2001	QL-2002	QL-2004	QL-2006	QL-2008	QL-2012	QL-2018	QL-3018	
Applicable Electroplating Tank Volume (ton)	0.2	0.4	0.6	0.4	0.6	0.8	1-2	1-3	2.5-4	4-6.5	6.5-7.5	
Cartridge Filtration Capacity(L/min)	26	28	63	30	58	80	203/233	258/336	418	523	733	
Cartridge Filtration Capacity(m ³ /h)	1.6	1.7	3.8	1.8	3.5	4.8	12.2/14	15.5/20.2	25.1	31.4	44	
Material of Filter Housing	PP	PP	PP	PP	PP	PP	PP	PP	PP	PP	PP	
Filtration Method	Number of Filter Cartridge (Size x Quantity)	10 "x1	10 "x2	10 "x4	20 "x1	20 "x2	20 "x4	20 "x6	20 "x8	20 "x12	20 "x18	30 "x18
	Number of Filter Paper (Size x Quantity)	/	/	/	/	/	/	ϕ 230x36	ϕ 230x36	ϕ 300x36	ϕ 370x36	ϕ 370x44
	Number of Filter Bag (Pieces)	/	/	1	/	/	1	1	1	1	1	1
Applicable Temperature (°C)	0-70	0-70	0-70	0-70	0-70	0-70	0-70	0-70	0-70	0-70	0-70	
Diameter of Pump Inlet and Filter Housing outlet (DN)	20/20	20/20	25/25	20/20	25/25	25/25	40/40	40~50/40	50/50	50/50	65/50	
Weight(KG)	8.6	13.3	15.3	9.5	15.4	16.5	33.7	42.6	54.9	69.1	80.4	

QL - 1001/1002/1004/2001 2002/2004/2006-1 2008-1/2008-2/2012-2 2018-3/3018-5

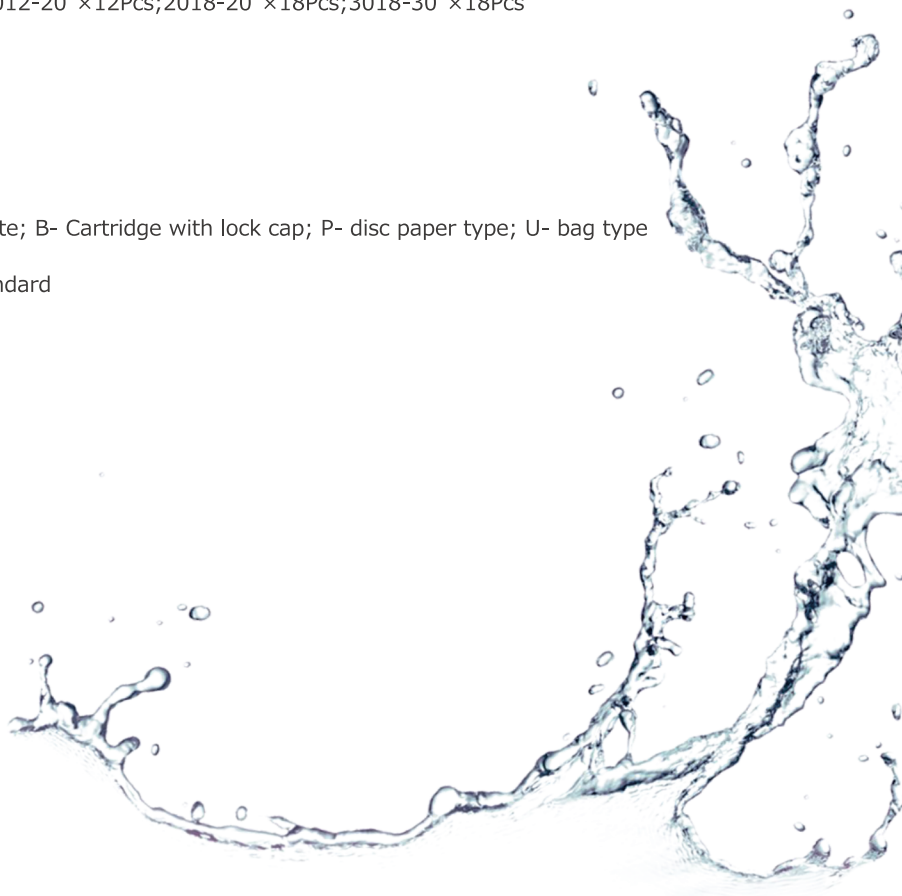
● Cartridge Filtration Capacity: 26-700 L/min



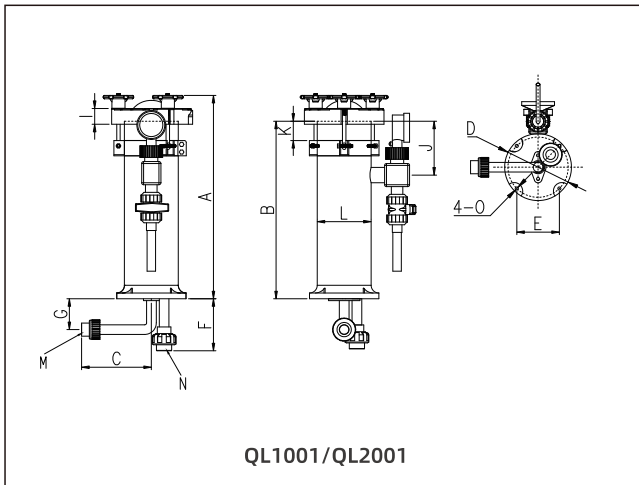
Model Description

QL - 2006 - F - F - E - C - G - Z - S
① ② ③ ④ ⑤ ⑥ ⑦ ⑧ ⑨

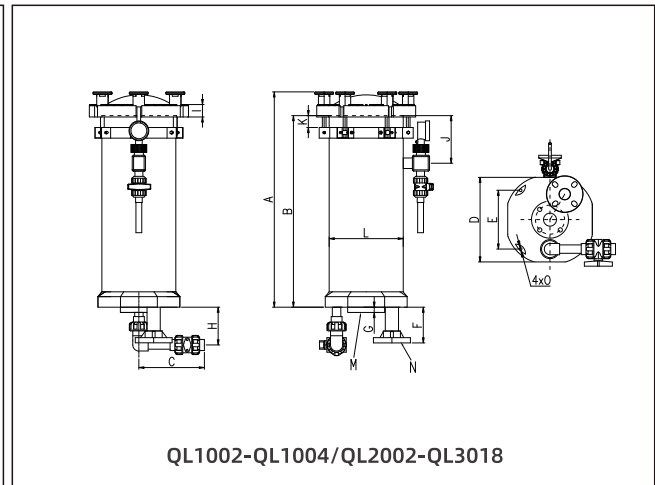
- ① Model No.: QL
- ② Filter cartridges specifications: 1001-10"×1Pcs;1002- 10"×2Pcs;1004- 10"×4Pcs;2001-20"×1Pcs;2002-20"×2Pcs; 2004-20"×4Pcs;2006-20"×6Pcs;2008-20"×8Pcs;2012-20"×12Pcs;2018-20"×18Pcs;3018-30"×18Pcs
- ③ Material of filter housing: F-PPH; P-PVDF
- ④ In-Outlet type: U-union ; F-flange
- ⑤ Sealing material: E-EPDM; V-FKM
- ⑥ Filtration method: C- Cartridge with pressure plate; B- Cartridge with lock cap; P- disc paper type; U- bag type
- ⑦ Standard Of In-Outlet: G-GB standard; J-JIS standard
- ⑧ Top Cover type: Z-injection cover; S-plate cover
- ⑨ S-Standard; N-Non-Standard



Size Drawing



QL1001/QL2001



QL1002-QL1004/QL2002-QL3018

Model	A	B	C	D	E	F	G	H
QL-1001	527	460	181	Ø173	110	135	80	/
QL-1002	598	520	133	240	170	142	75	105
QL-1004	598	520	133	240	170	142	75	105
QL-2001	720	654	181	Ø173	110	135	80	/
QL-2002	780	710	133	240	170	142	75	105
QL-2004	780	710	133	240	170	142	75	105
QL-2006	855	775	248	320	222	135	20	143
QL-2008	860	775	248	350	248	135	20	143
QL-2012	855	775	248	430	307	135	20	143
QL-2018	864	775	248	485	345	135	20	143
QL-3018	1120	1030	248	485	345	135	20	143

Model	I	J	K	L	M	N	O	Weight(kg)
QL-1001	41	140	50	Ø140.0	DN20(3/4")	DN20(3/4")	Ø8.0	8.6
QL-1002	35	140	50	Ø200.0	DN25(1")	DN25(1")	Ø10.0	13.3
QL-1004	35	140	50	Ø200.0	DN25(1")	DN25(1")	Ø10.0	15.3
QL-2001	41	140	50	Ø140.0	DN20(3/4")	DN20(3/4")	Ø8.0	9.5
QL-2002	35	180	50	Ø200.0	DN25(1")	DN25(1")	Ø10.0	15.4
QL-2004	35	180	50	Ø200.0	DN25(1")	DN25(1")	Ø10.0	16.5
QL-2006	47.5	180	45	Ø280.0	1.5"	1.5"	Ø10.0	33.7
QL-2008	47.5	180	45	Ø315.0	1.5"	1.5"	Ø10.0	42.6
QL-2012	47.5	180	45	Ø400.0	2"	2"	Ø12.0	54.9
QL-2018	47.5	180	45	Ø450.0	2"	2"	Ø12.0	69.1
QL-3018	47.5	180	45	Ø450.0	2"	2.5"	Ø12.0	80.4

Safety Operating Procedures

1. The installation site should be flat or placed on a stable shelf. The inlet and outlet pipes should be fixed firmly to avoid damage to the pipes.
2. Familiarize yourself with the operation of the filter before starting it. Please read the user manual carefully, and follow the instructions to install each component. This will help you to understand the standard operating procedures for each component.
3. Do not change the transporting chemistry arbitrarily when using it, because different chemical mixing will produce various chemical changes, and even chemical reactions will cause high heat to damage the body and parts. Please contact our company for questions about chemical coordination.
4. Any misuse, such as overvoltage, self-modification of parts, chemical incompatibility, or use of damaged parts, may cause dangerous situations. Please follow the safety warnings.
5. Hydrogen is generated in most electroplating solutions during electrolysis. Hydrogen gas is easy to remain in the filter housing. If it is not used for a long time, hydrogen will be stored in the filter housing and cause internal pressure, even causing hydrogen explosion. Therefore, the filter housing's air release valve should be vented every day to discharge the hydrogen gas. If it is not used for a long time, the air release valve should be opened to prevent the accumulation of hydrogen gas.
6. When starting the filter, check the outlet and flow rate to ensure that they are normal. Clean the filter media regularly. The liquid in the pump will heat up due to idling, and the liquid in the pump will vaporize, causing steam pressure in the filter tank. Hydrogen gas will be released from the liquid and raise the internal pressure of the filter tank. If the pressure is too high, it may even cause the filter tank to burst. It is important to check that the filter machine outlet valve is open and that the pump is not dry running. Dry running will damage the pump and the filter.
7. When using the filter, please use it during working hours. When the machine is not in use at night, please turn off the power to prevent the filter media from being blocked at night and no one stops or cleans the filter, causing the pump and filter to run dry and be damaged.
8. Avoid installing the filter outdoors if possible, because the filter housing will be exposed to sunlight for a long time, which will cause the plastic material to deteriorate and affect the service life.
9. The pressure during operation should not be higher than 1.5Kg/cm², and the temperature of the liquid used should not be higher than 70°C.



www.qeehuapump.com



www.qeehua-pump.com

HEAD OFFICE IN SOUTH CHINA:

GUANGDONG QEEHUA INDUSTRY EQUIPMENT CO., LTD.

Address: No.8, East Chenwu Road, Houjie Town, Dongguan City, Guangdong Province, China.

SUBSIDIARY CORPORATION:

DONGGUAN EVER POPULAR IMPORT AND EXPORT CO., LTD.

No. 1301&1302, Tianan Cyber Park, No.1 Huangjin Road, Nancheng District, Dongguan City, Guangdong Province, China.

SUBSIDIARY CORPORATION:

JIANGXI QEEHUA FLOW TECHNOLOGY CO., LTD.

Address: Room 110, Building 3, Hengke Industrial Park phase 1, Economic and Technological Development Zone, Ganzhou City, Jiangxi Province, China.

SUBSIDIARY CORPORATION:

SUZHOU QEEHUA PUMP INDUSTRY CO., LTD.

Address: Room 221, Kezheng Building, No. 16, Nantiancheng Road, High - speed Railway New Town, Xiangcheng District, Suzhou City.

SUBSIDIARY CORPORATION:

CHENGDU QEEHUA FLUID TECHNOLOGY CO., LTD.

No. 08, 3rd Floor, Building 3, No. 1108 Shengbang Street, High tech Zone, Chengdu City, Sichuan Province, China.



Copyright belongs to our company
Product specifications and technical indicators are subject to change without prior notice.

2025.09.20