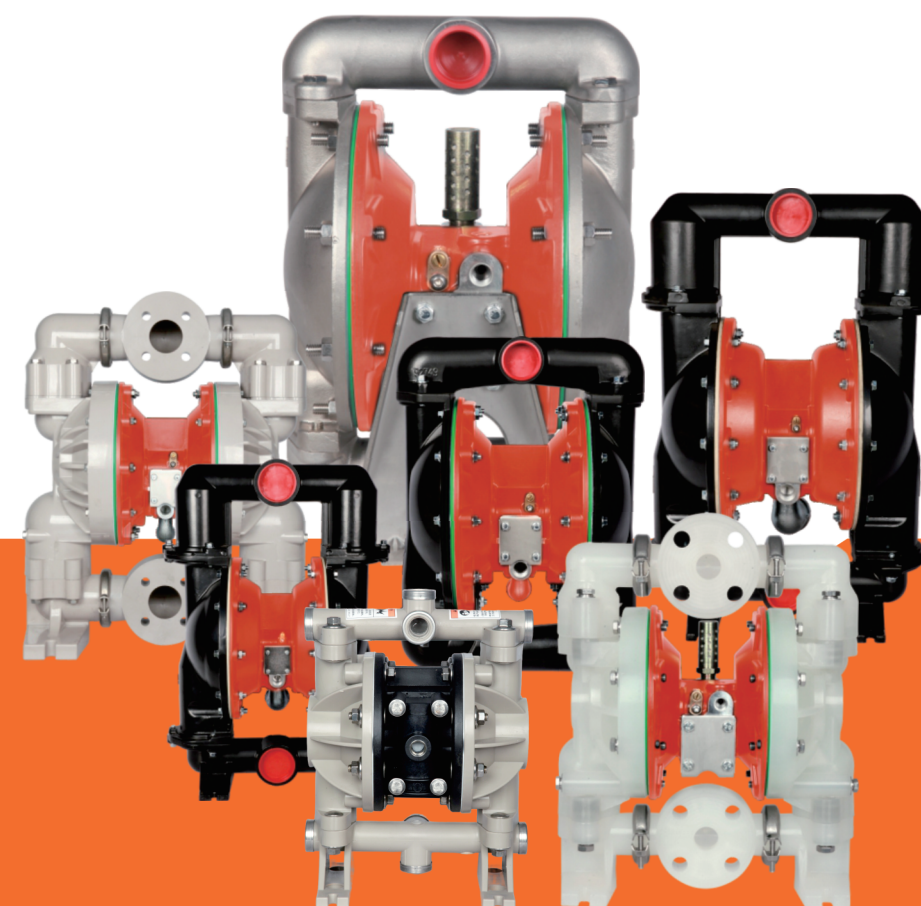




DIAPHRAGM PUMP SELECTION MANUAL

QA Series Diaphragm Pump Selection Manual




HEAD OFFICE IN SOUTH CHINA:
GUANGDONG QEEHUA INDUSTRY EQUIPMENT CO., LTD.
Address: No.8, East Chenwu Road, Houjie Town, Dongguan City, Guangdong Province, China.

SUBSIDIARY CORPORATION:
DONGGUAN EVER POPULAR IMPORT AND EXPORT CO., LTD.
No. 1301&1302, Tianan Cyber Park, No.1 Huangjin Road, Nancheng District,
Dongguan City, Guangdong Province, China.

SUBSIDIARY CORPORATION:
JIANGXI QEEHUA FLOW TECHNOLOGY CO., LTD.
Address: Room 110, Building 3, Hengke Industrial Park phase 1,
Economic and Technological Development Zone, Ganzhou City, Jiangxi Province, China.

SUBSIDIARY CORPORATION:
SUZHOU QEEHUA PUMP INDUSTRY CO., LTD.
Address: Room 221, Kezheng Building, No. 16, Nantiancheng Road, High - speed Railway New Town,
Xiangcheng District, Suzhou City.

SUBSIDIARY CORPORATION:
CHENGDU QEEHUA FLUID TECHNOLOGY CO., LTD.
No. 08, 3rd Floor, Building 3, No. 1108 Shengbang Street, High tech Zone, Chengdu City, Sichuan Province, China.

 Copyright belongs to our company
Product specifications and technical
indicators are subject to change without
prior notice.

GUANGDONG QEEHUA INDUSTRY EQUIPMENT CO., LTD.

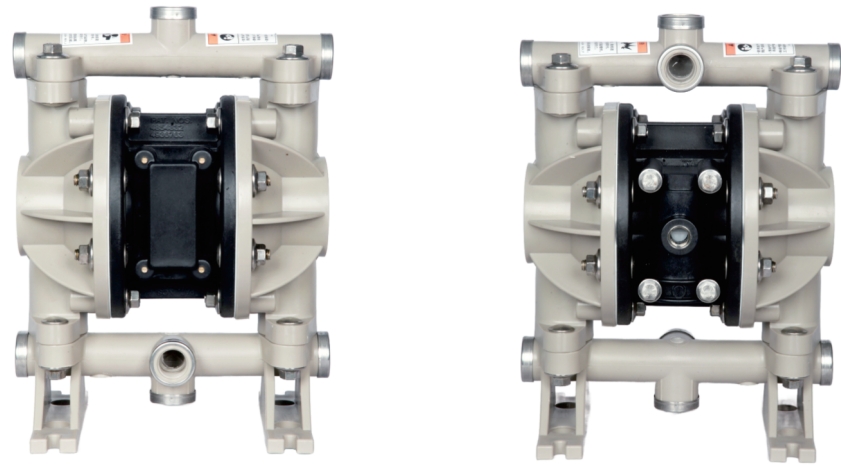


Contents

COMPANY INTRODUCTION

Guangdong Qeehua Industry Equipment Co., Ltd. (Qeehua Pump), who is based in Guangdong Province of China, is a leading manufacturer and national high-tech enterprise focus on R&D and manufacturing of corrosion-resistant chemical pumps and filters, which are widely used in PCB, electroplating, medical, solar, semiconductor, coating, waste water and gas treatment and other industries of chemical liquid circulation, filtration and transportation. Qeehua Pump has reached certificates such as ISO9001, CE, SGS and so on. Until now, we have more than 30 patents, including 2 invention patents. We take pride in supplying our clients with world-class and high-quality standard and customized chemical pumps and filters.

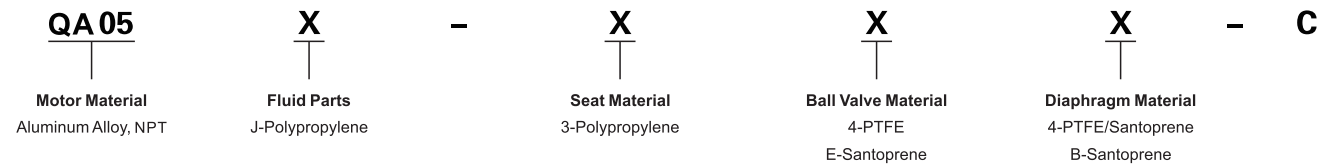
01-02	1/2" NON-METALLIC
03-04	1" NON-METALLIC
05-06	1-1/2" NON-METALLIC
07-08	2" NON-METALLIC
09-10	1" METALLIC
11-12	1-1/2" METALLIC
13-14	2" METALLIC
15-16	3" METALLIC



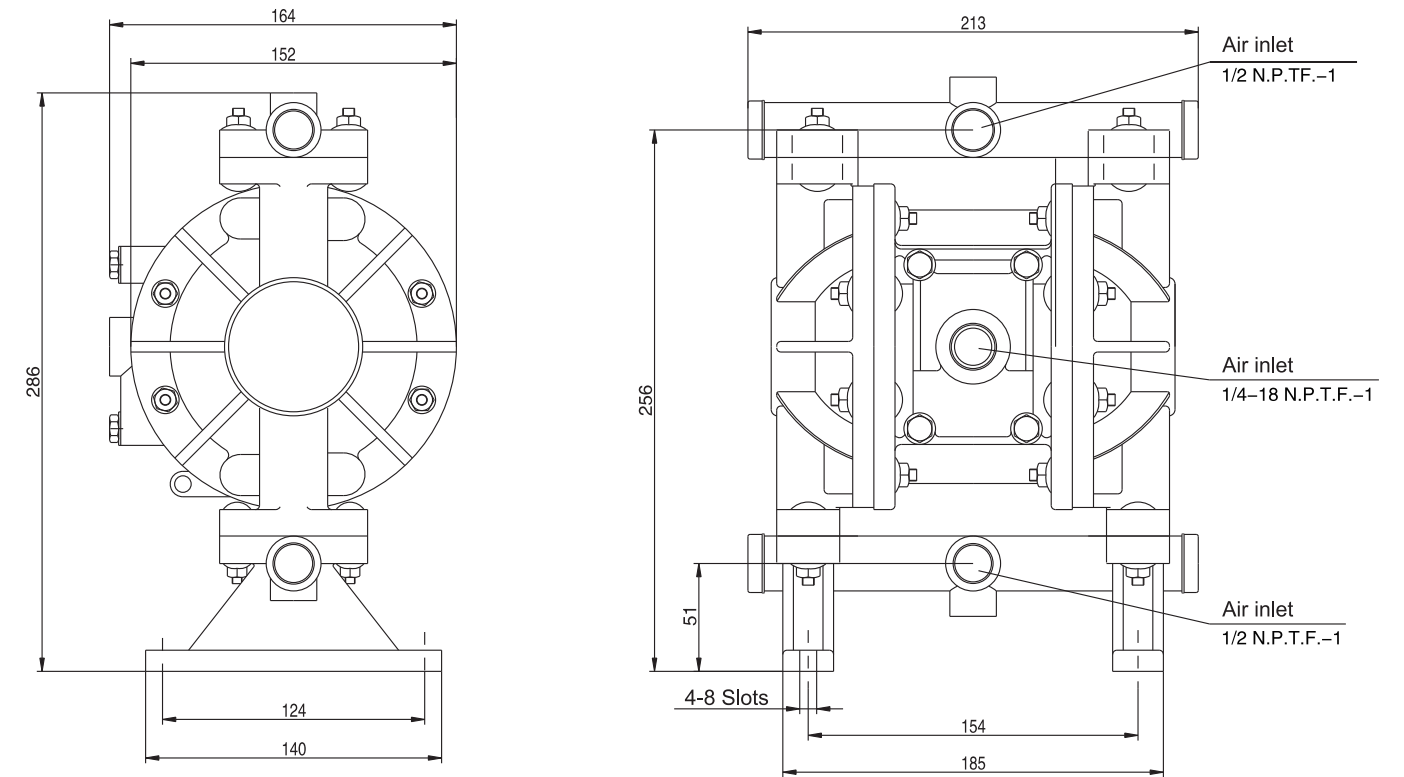
1/2" Non-Metallic Pump Technical Specifications

Maximum flow:	49.2	Liters/minute	
Displacement per cycle:	0.15	Liter	
Air inlet:	1/4-18 NPT-1		
Fluid inlet:	1/2-14 N.P.T.F.-1		
Fluid outlet:	1/2-14 N.P.T.F.-1		
Maximum working pressure:	100(6.9)	psi(bar)	
Maximum diameter of suspended solids:	2.4	Millimeter	
Maximum dry suction height:	3	meter	
Noise level:	PSI	Cycle/Minute	Decibel(A)
	70	60	71.1

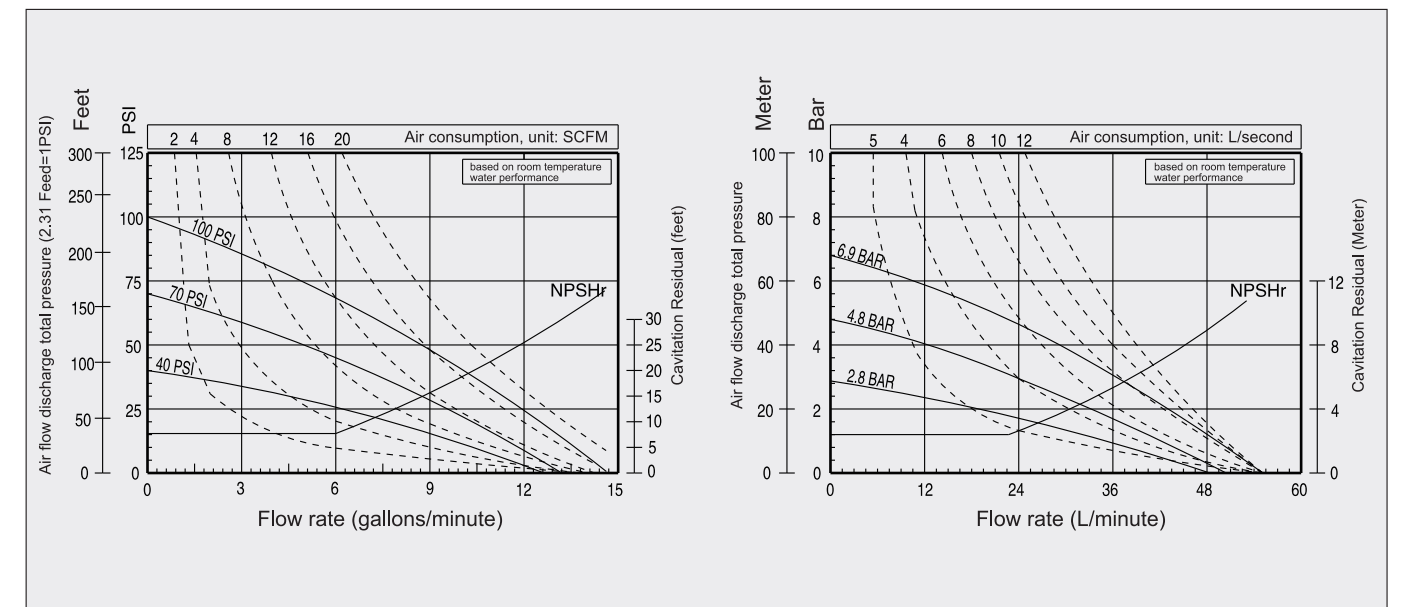
Model Description

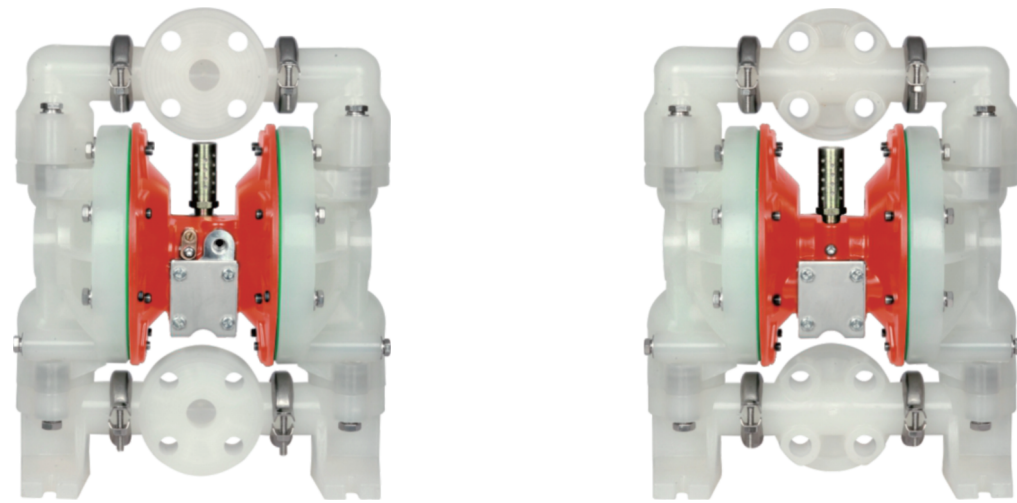


1/2" NON-METALLIC



1/2" Non-metallic Pump Performance Curve





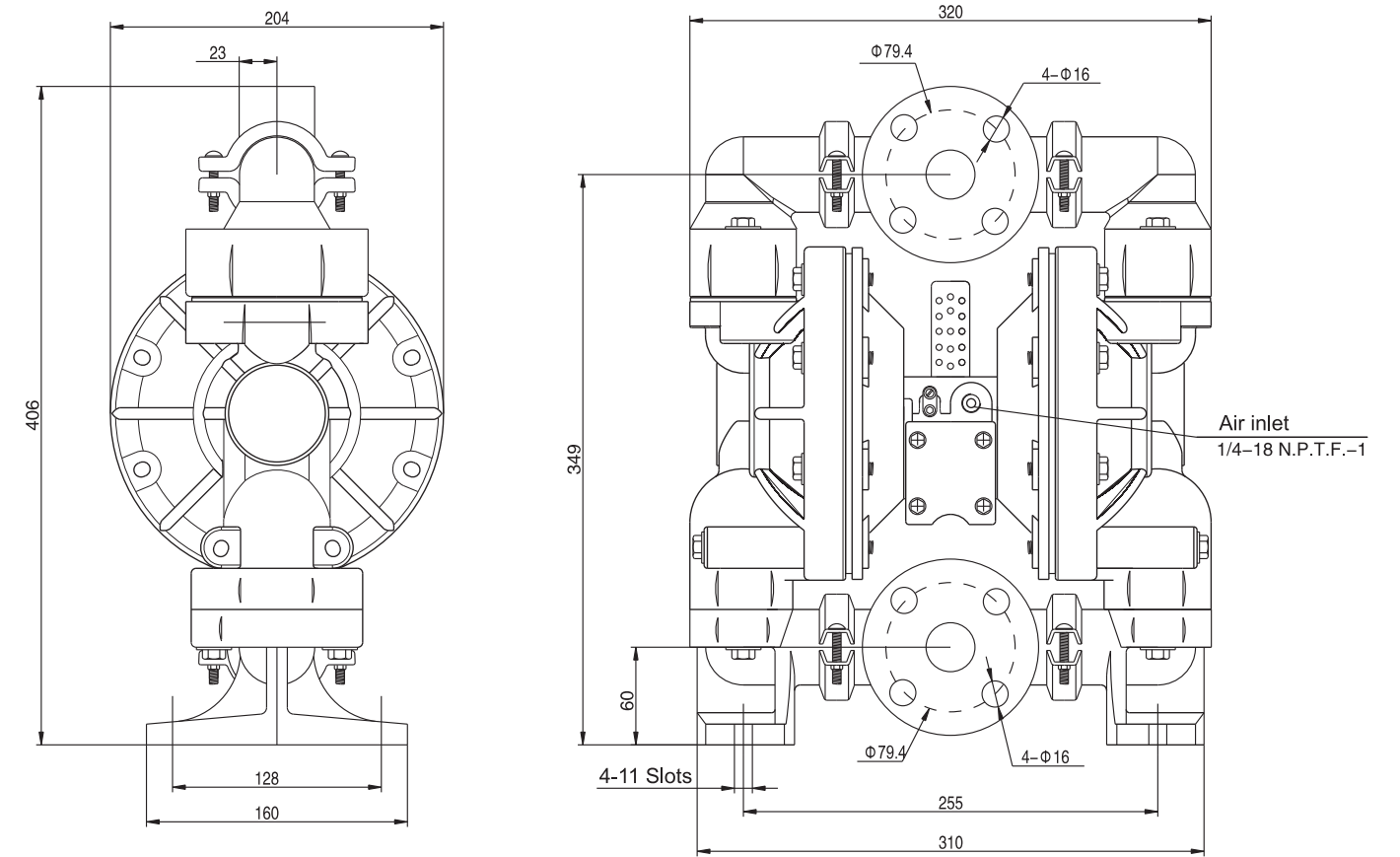
1" Non-Metallic Pump Technical Specifications

Maximum flow:	177.9	Liters/minute	
Displacement per cycle:	0.64	Liter	
Air inlet:	1/4-18 NPT-1		
Fluid inlet:	1" ANSI (150LB)		
Fluid outlet:	1" ANSI (150LB)		
Maximum working pressure:	120(8.3)	psi(bar)	
Maximum diameter of suspended solids:	3.2	Millimeter	
Maximum dry suction height:	4.6	meter	
Noise level:	PSI	Cycle/Minute	Decibel(A)
	70	60	64.5

Model Description

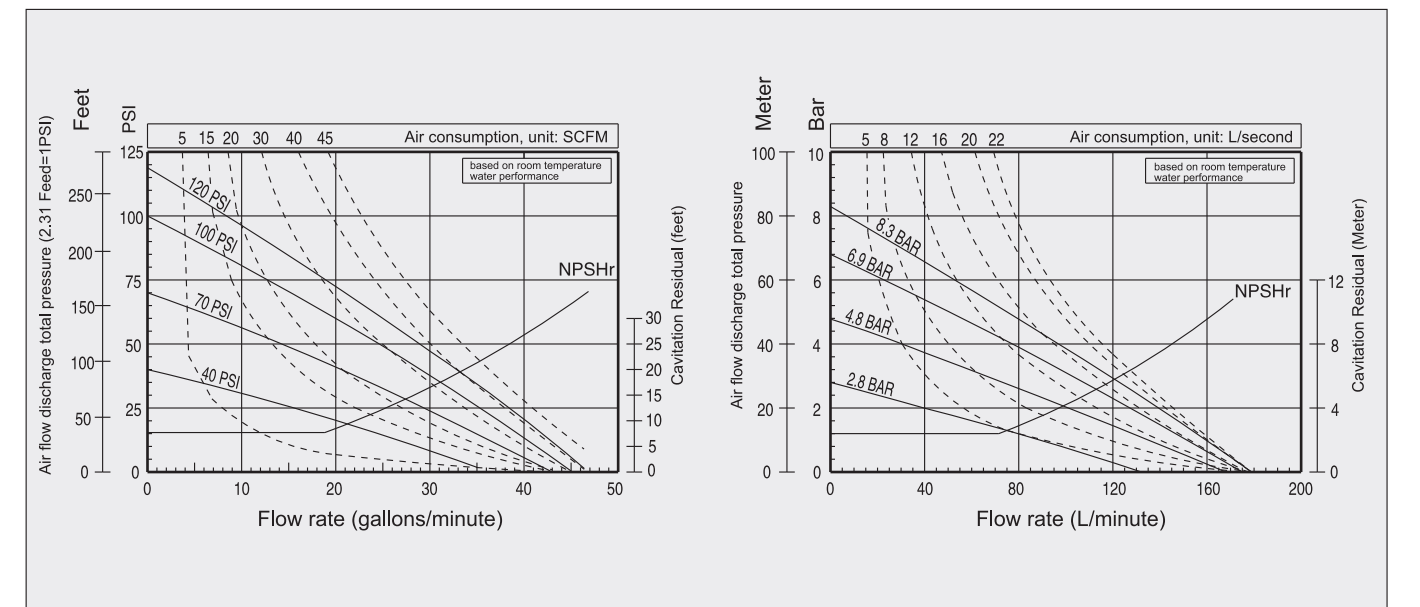
QA1A	X	-	X	X	X	-	C
Motor Material Aluminum Alloy, NPT	Wetted Parts 3-PP Flange		Seat Material 3-Polypropylene	Ball Valve Material 4-PTFE C-HYTREL E-Santoprene	Diaphragm Material 4-PTFE/Santoprene 9-HYTREL B-Santoprene		

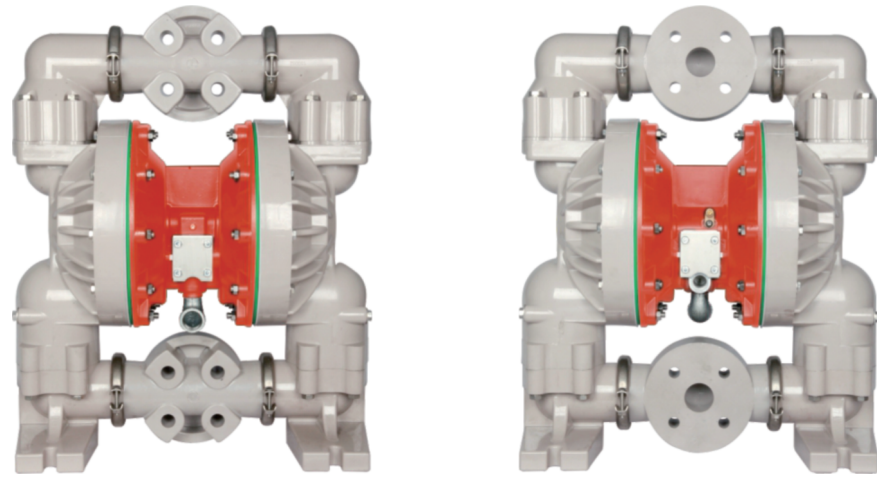
1" NON-METALLIC



Dimensions are approximate and in millimeters

1" non-metallic pump performance curve





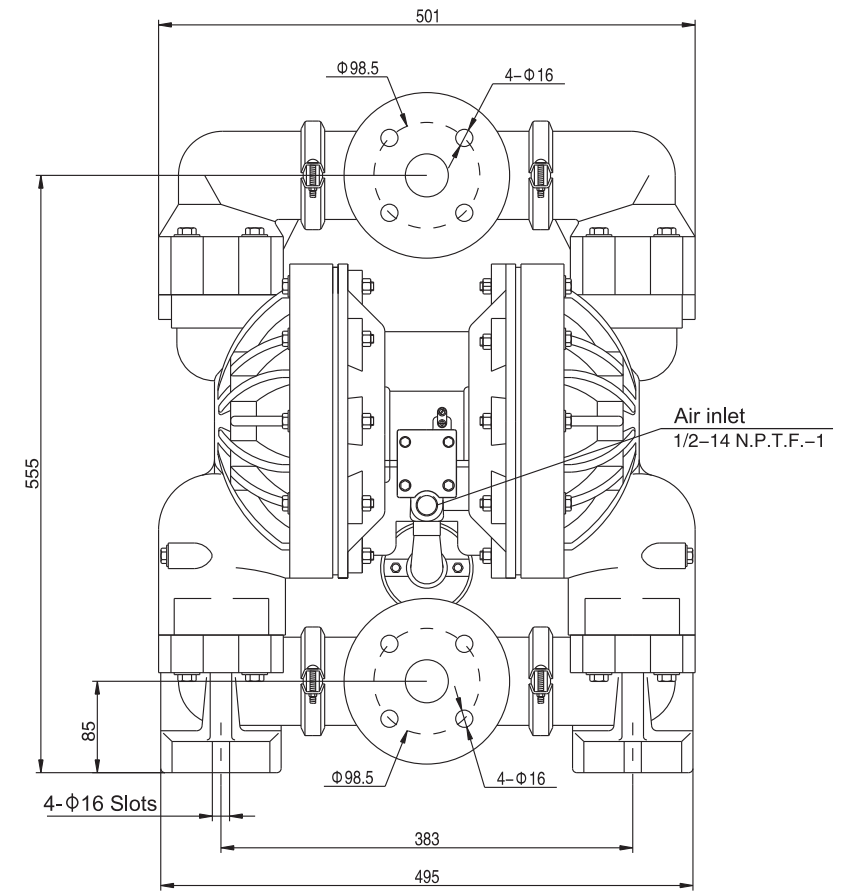
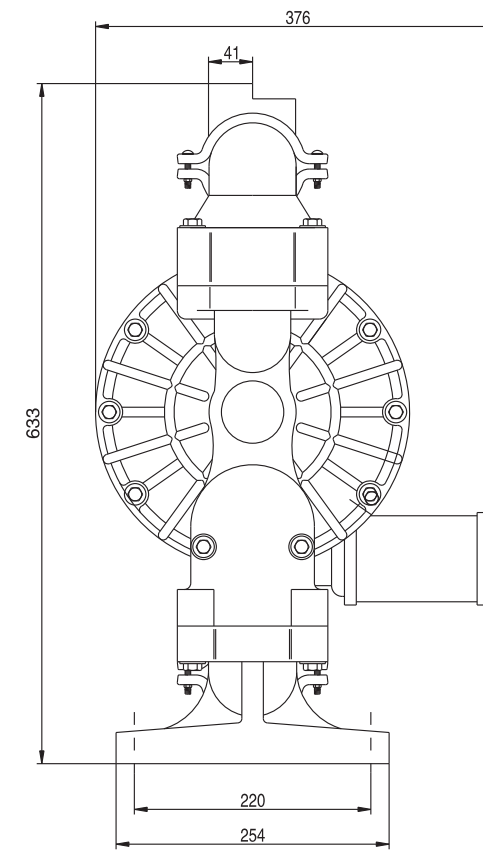
1-1/2" Non-Metallic Pump Technical Specifications

Maximum flow:	378.5	Liters/minute	
Displacement per cycle:	2.54	Liter	
Air inlet:	1/2-14 NPT-1		
Fluid inlet:	1-1/2"ANSI(150LB)		
Fluid outlet:	1-1/2"ANSI(150LB)		
Maximum working pressure:	120(8.3)	psi(bar)	
Maximum diameter of suspended solids:	6.4	Millimeter	
Maximum dry suction height:	4.27	meter	
Noise level:	PSI	Cycle/Minute	Decibel(A)
	70	60	77.7

Model Description

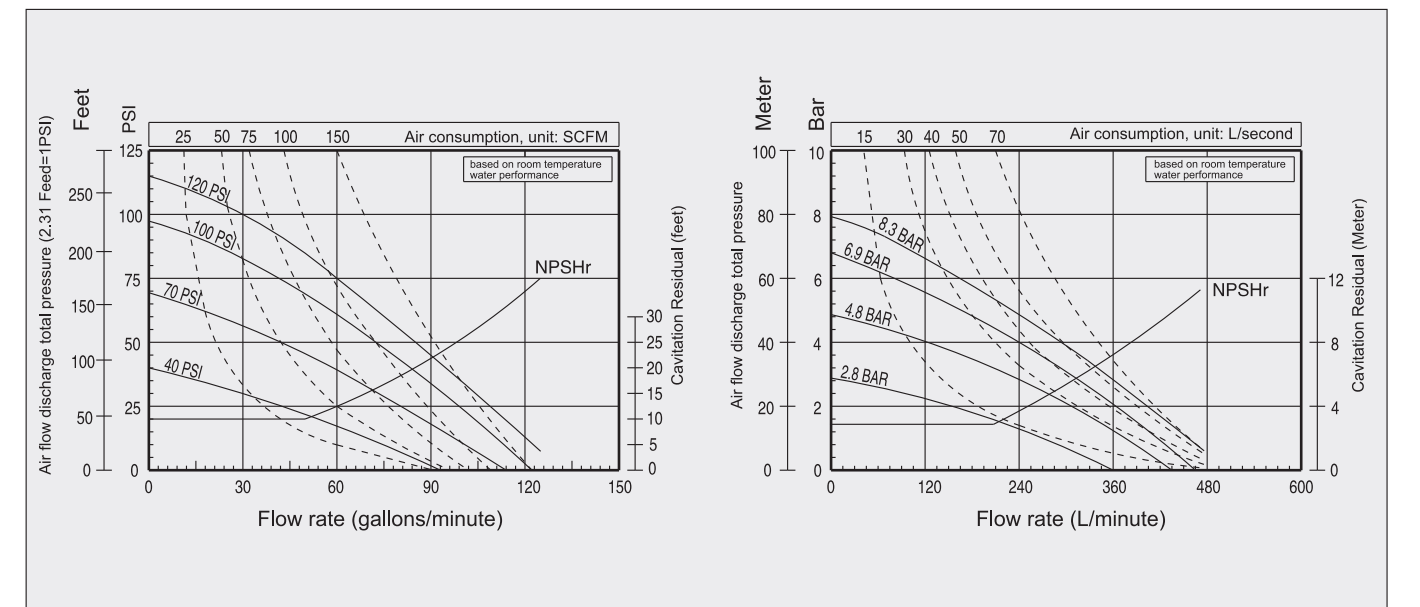
QA 1T	X	-	X	X	X	-	C
Motor Material Aluminum Alloy, NPT	Wetted Parts 3-PP Flange		Seat Material 3-Polypropylene	Ball Valve Material 4-PTFE C-HYTREL E-Santoprene	Diaphragm Material 4-PTFE/Santoprene 9-HYTREL B-Santoprene		

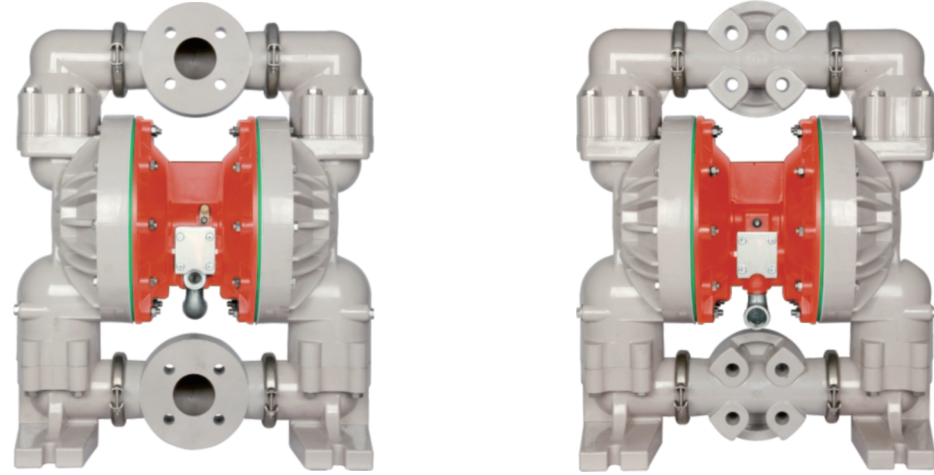
1-1/2" NON-METALLIC



Dimensions are approximate and in millimeters

1-1/2" non-metallic pump performance curve





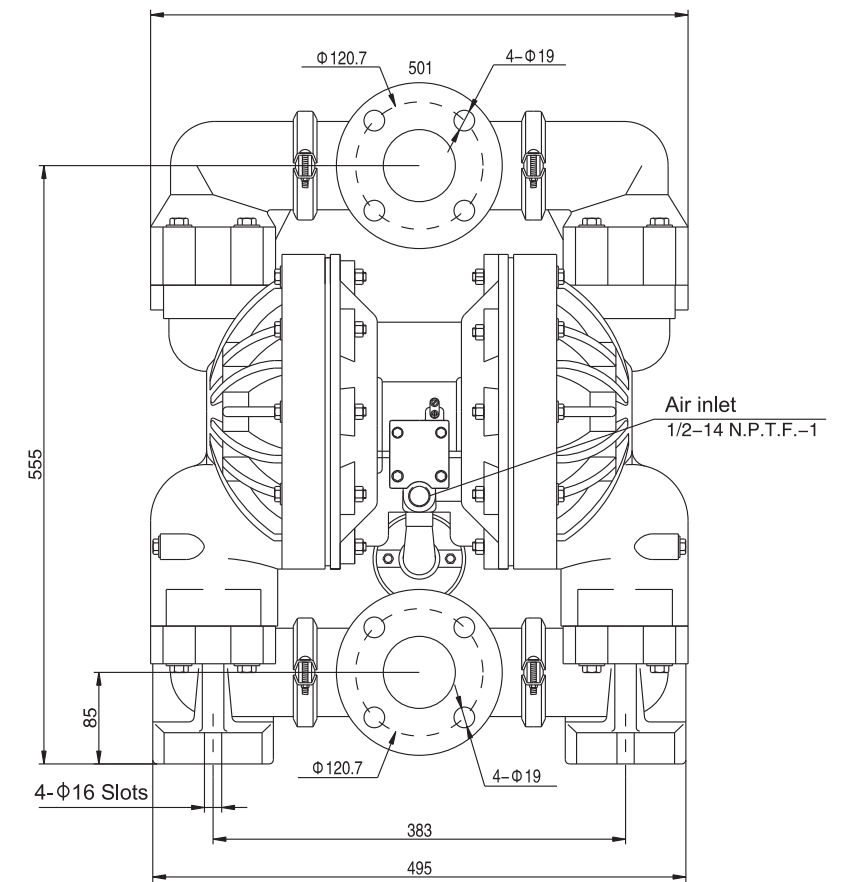
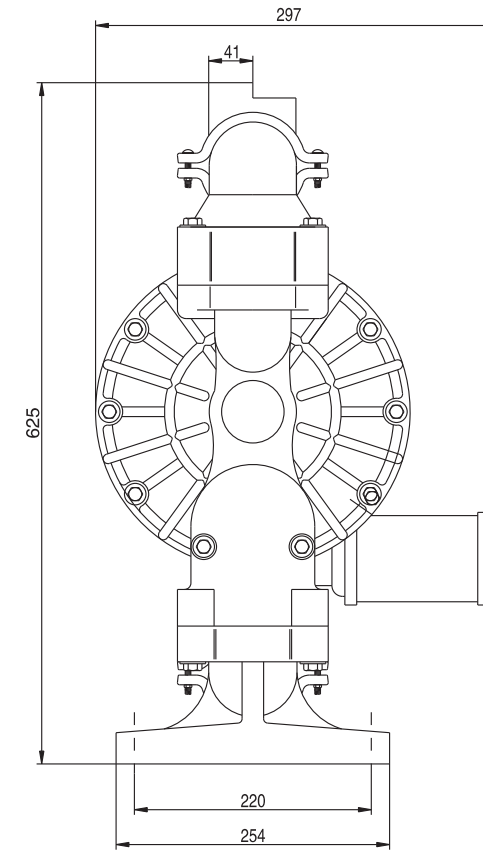
2" Non-Metallic Pump Technical Specifications

Maximum flow:	548.8	Liters/minute
Displacement per cycle:	2.7	Liter
Air inlet:	1/2-14 NPT-1	
Fluid inlet:	2" ANSI (150LB)	
Fluid outlet:	2" ANSI (150LB)	
Maximum working pressure:	120(8.3)	psi(bar)
Maximum diameter of suspended solids:	6.4	Millimeter
Maximum dry suction height:	4.27	meter
Noise level:	PSI	Cycle/Minute
	70	60
		Decibel(A)
		77.7

Model Description

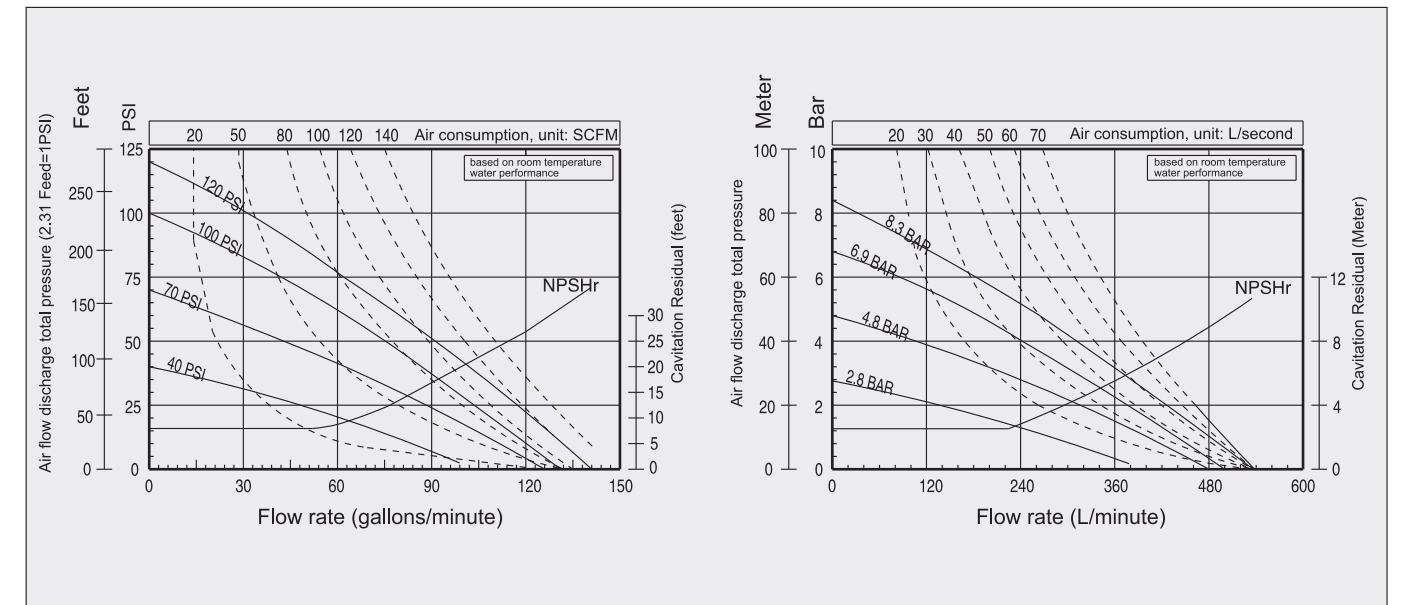
QA2A	X	-	X	X	X	-	C
Motor Material Aluminum Alloy, NPT	Wetted Parts 3-PP Flange		Seat Material 3-Polypropylene	Ball Valve Material 4-PTFE C-HYTREL E-Santoprene	Diaphragm Material 4-PTFE/Santoprene 9-HYTREL B-Santoprene		

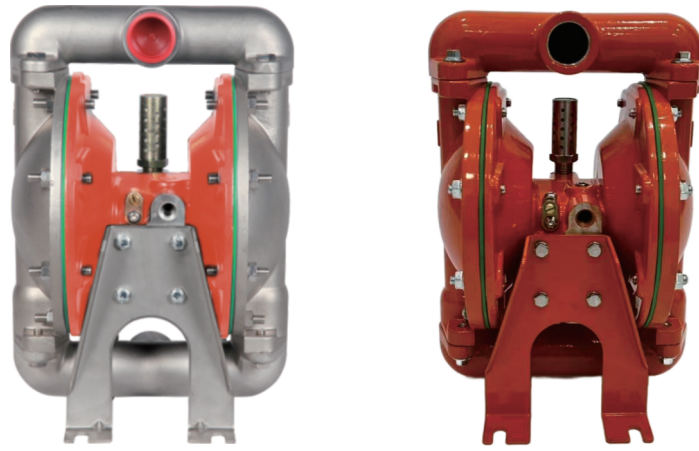
2" NON-METALLIC



Dimensions are approximate and in millimeters

2" non-metallic pump performance curve





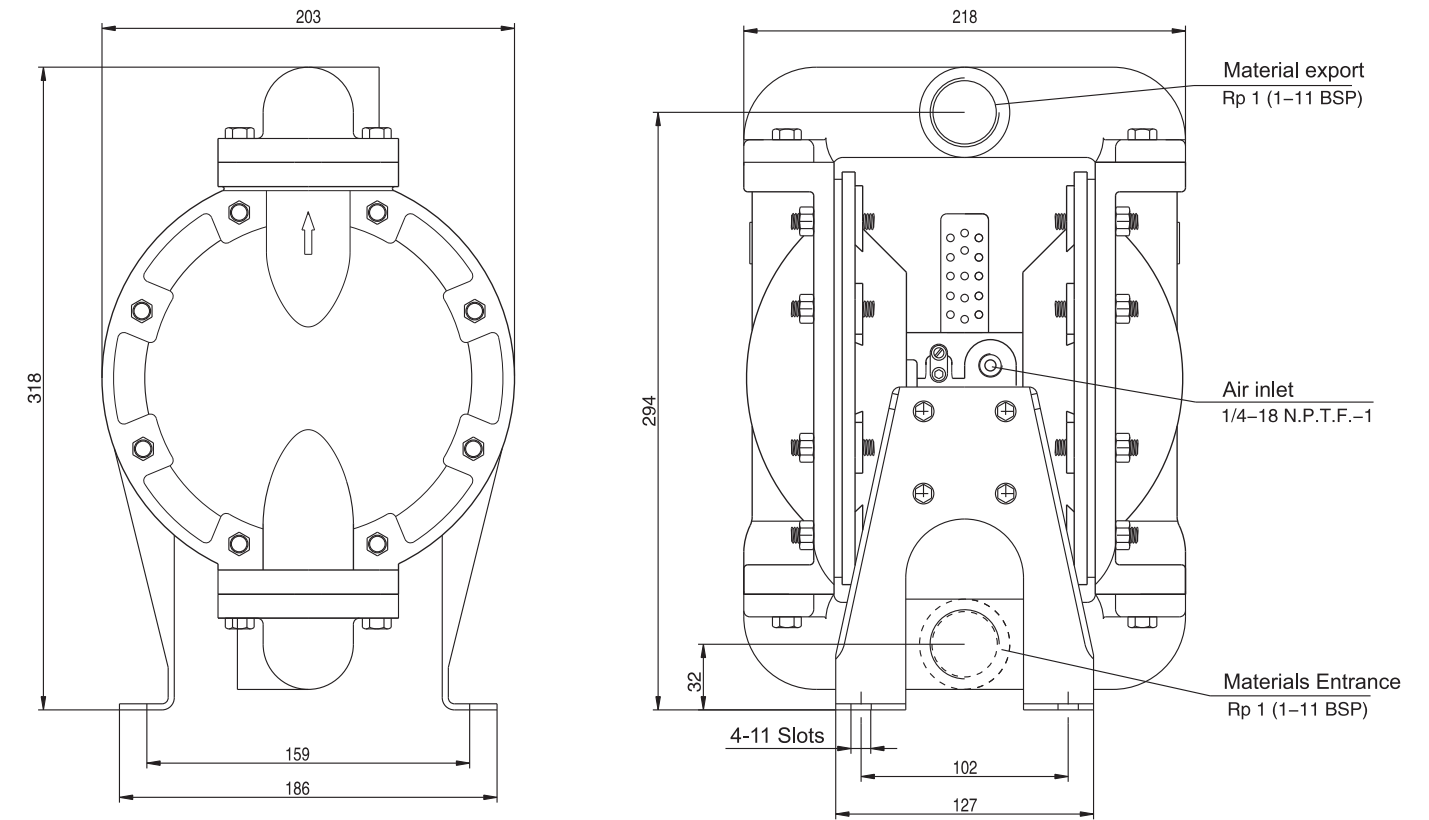
1" Metallic Pump Technical Specifications

Maximum flow:	133	Liters/minute	
Displacement per cycle:	0.6	Liter	
Air inlet:	1/4-18 NPT-1		
Fluid inlet:	Rp1(1-11 BSP)		
Fluid outlet:	Rp1(1-11 BSP)		
Maximum working pressure:	120(8.3)	psi(bar)	
Maximum diameter of suspended solids:	3.2	Millimeter	
Maximum dry suction height:	6.1	meter	
Noise level:	PSI	Cycle/Minute	Decibel(A)
	70	60	64.5

Model Description

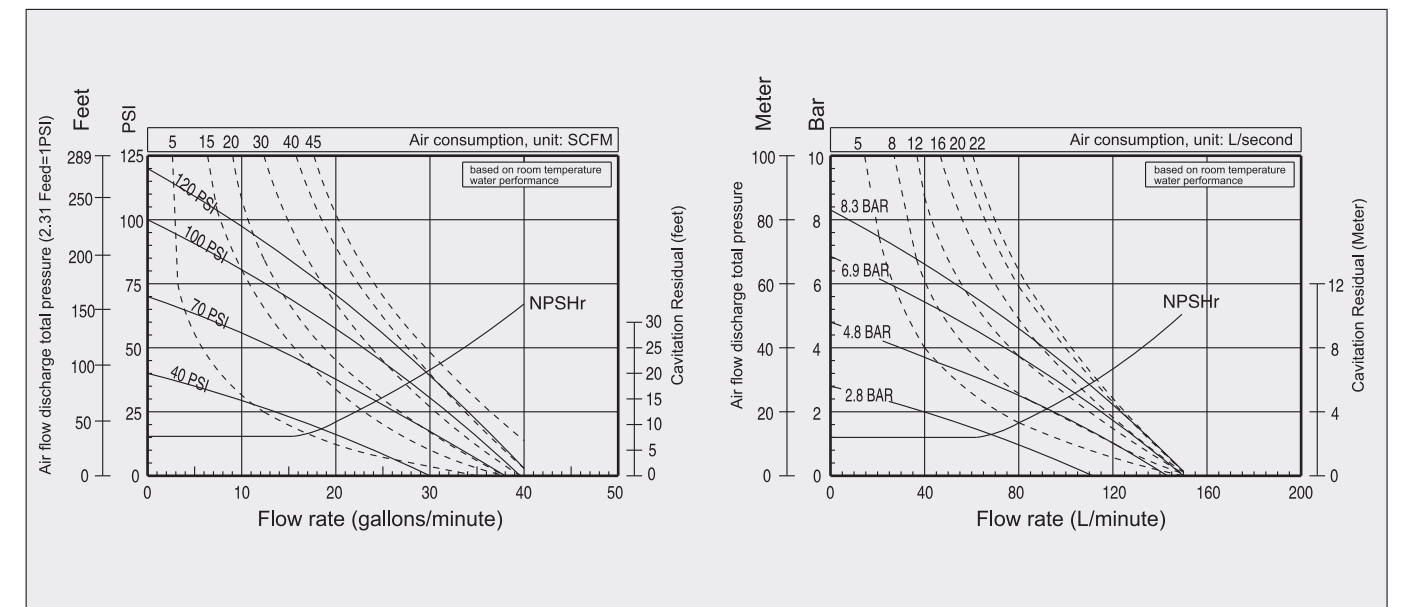
QA12	X	-	X	X	X	-	C
Motor Material Aluminum Alloy, NPT	Wetted Parts 0-Aluminum Alloy B-Stainless Steel		Seat Material 2-Stainless Steel 3-Polypropylene 4-PTFE	Ball Valve Material 4-PTFE C-HYTREL E-Santoprene	Diaphragm Material 2-Nitril 4-PTFE/Santoprene 9-HYTREL B-Santoprene		

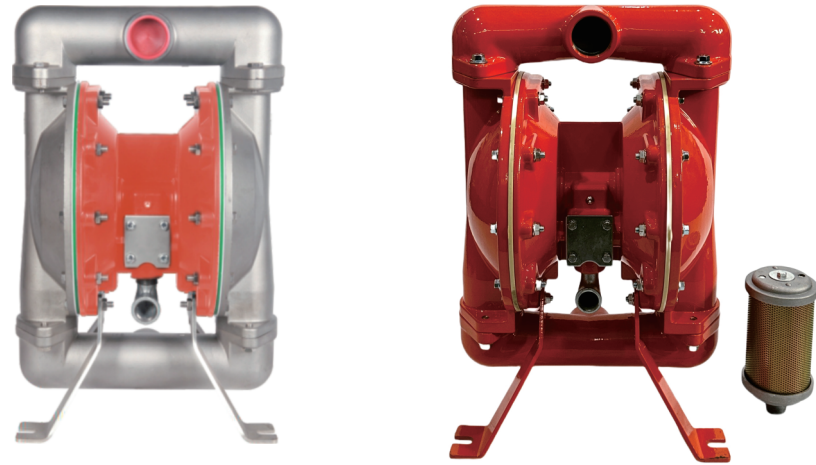
1" METALLIC



Dimensions are approximate and in millimeters

1" Metallic Pump Performance Curve





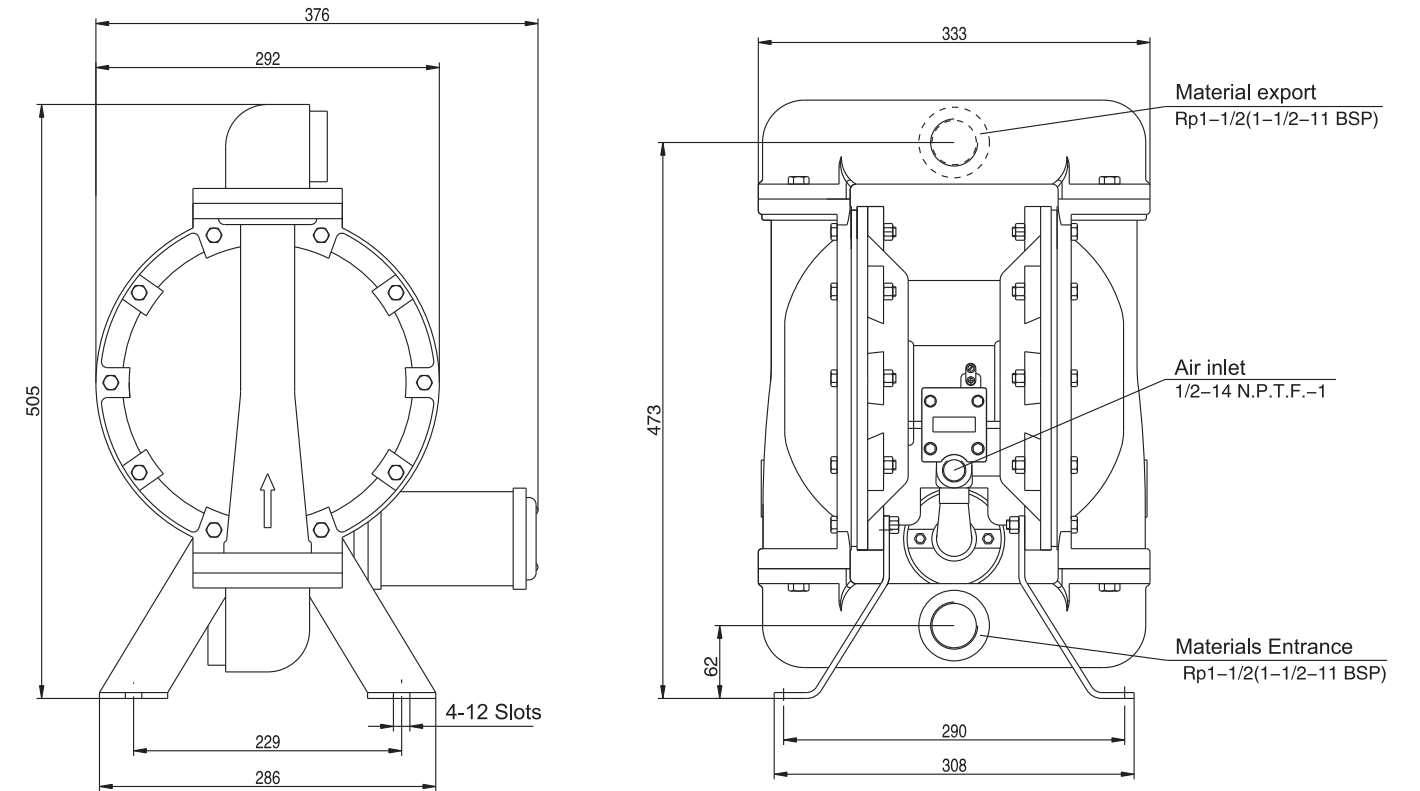
1-1/2" Metallic Pump Technical Specifications

Maximum flow:	340.7	Liters/minute	
Displacement per cycle:	2.42	Liter	
Air inlet:	1/2-14 NPT-1		
Fluid inlet:	Rp1-1/2(1-1/2-11 BSP)		
Fluid outlet:	Rp1-1/2(1-1/2-11 BSP)		
Maximum working pressure:	120(8.3)	psi(bar)	
Maximum diameter of suspended solids:	6.4	Millimeter	
Maximum dry suction height:	5.8	meter	
Noise level:	PSI	Cycle/Minute	Decibel(A)
	70	60	77.7

Model Description

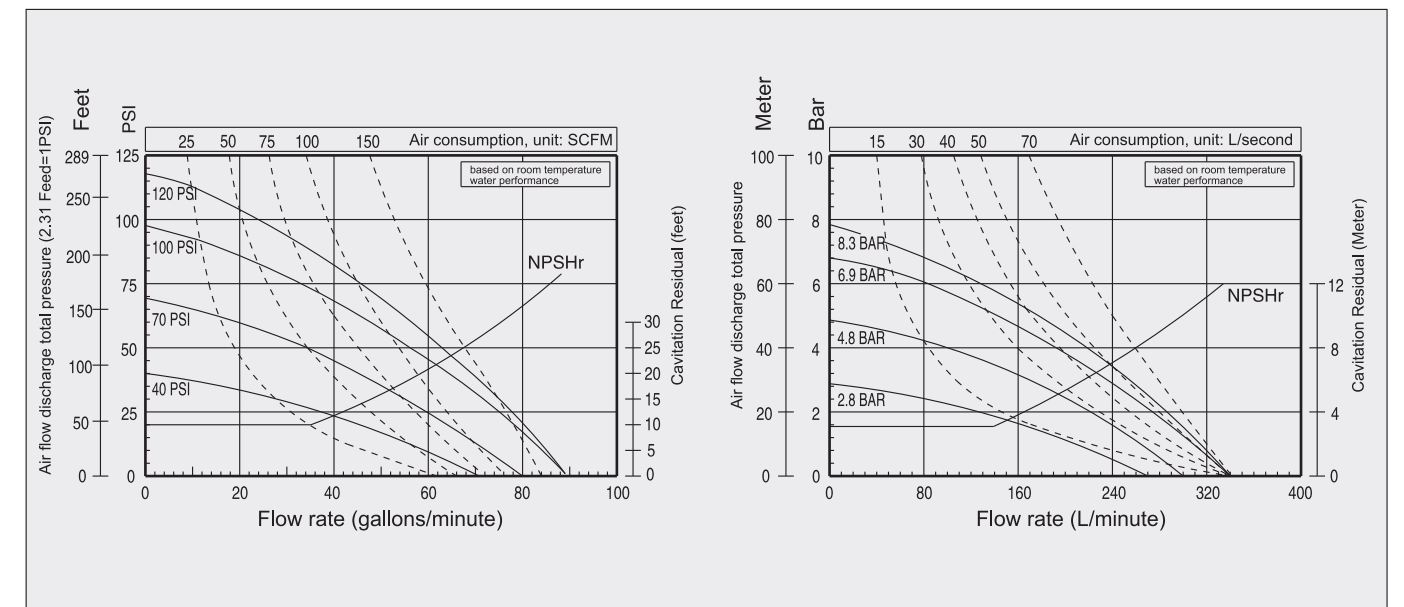
QA 17	X	-	X	X	X	-	C
Motor Material Aluminum Alloy, NPT	Wetted Parts 0-Aluminum Alloy B-Stainless Steel		Seat Material 2-Stainless Steel 3-Polypropylene 4-PTFE	Ball Valve Material 4-PTFE C-HYTREL E-Santoprene	Diaphragm Material 2-Nitril 4-PTFE/Santoprene 9-HYTREL B-Santoprene		

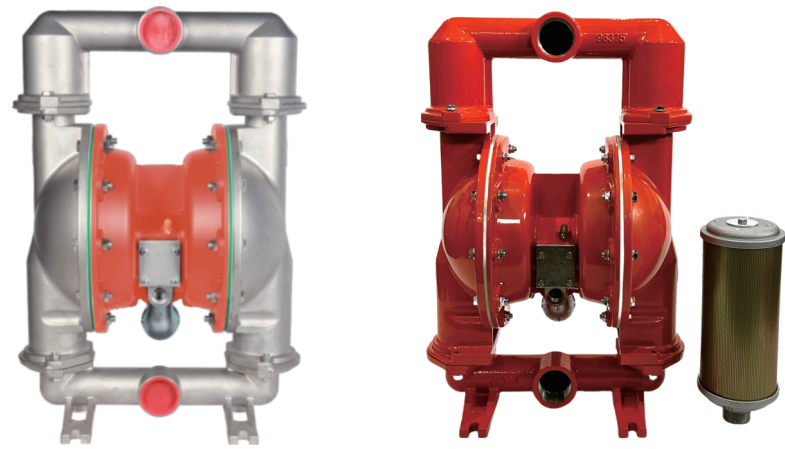
1-1/2" METALLIC SIZE



Dimensions are approximate and in millimeters

1-1/2" Metallic Pump Performance Curve





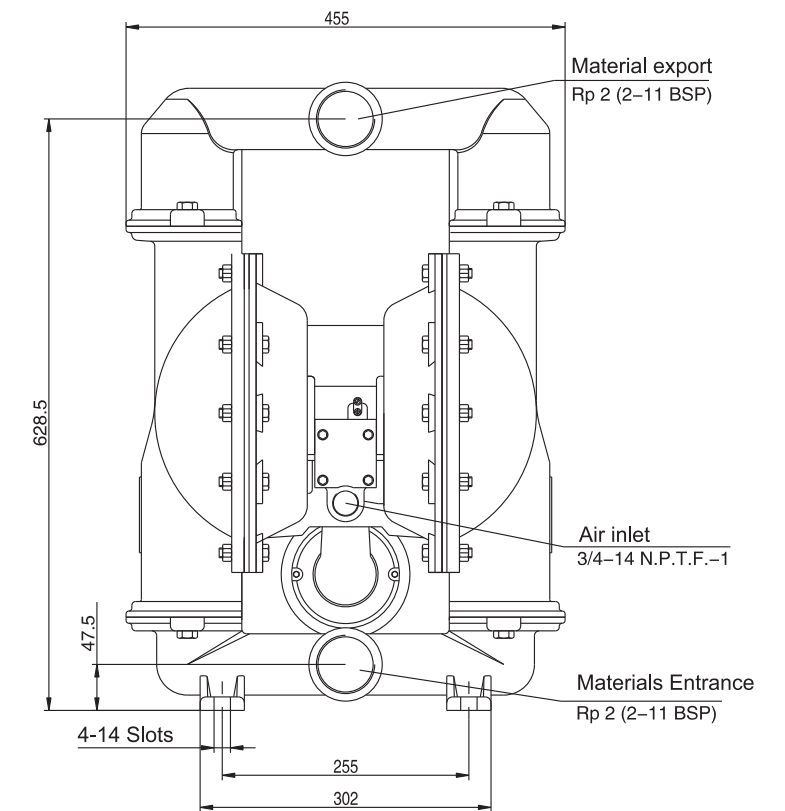
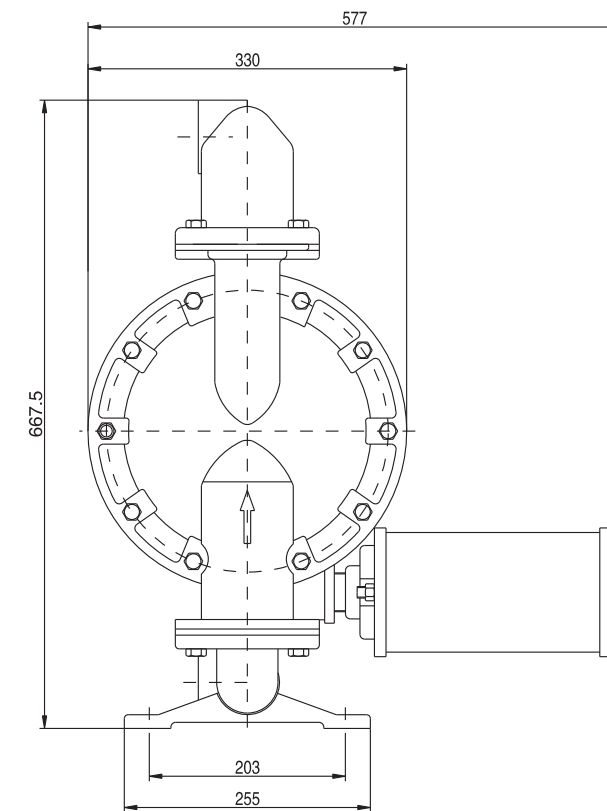
2" Metallic Pump Technical Specifications

Maximum flow:	651	Liters/minute
Displacement per cycle:	5.3	Liter
Air inlet:	3/4-14 NPT-1	
Fluid inlet:	Rp 2(2-11 BSP)	
Fluid outlet:	Rp 2(2-11 BSP)	
Maximum working pressure:	120(8.3)	psi(bar)
Maximum diameter of suspended solids:	6.4	Millimeter
Maximum dry suction height:	8.3	meter
Noise level:	PSI	Cycle/Minute
	70	60
		Decibel(A)
		85.3

Model Description

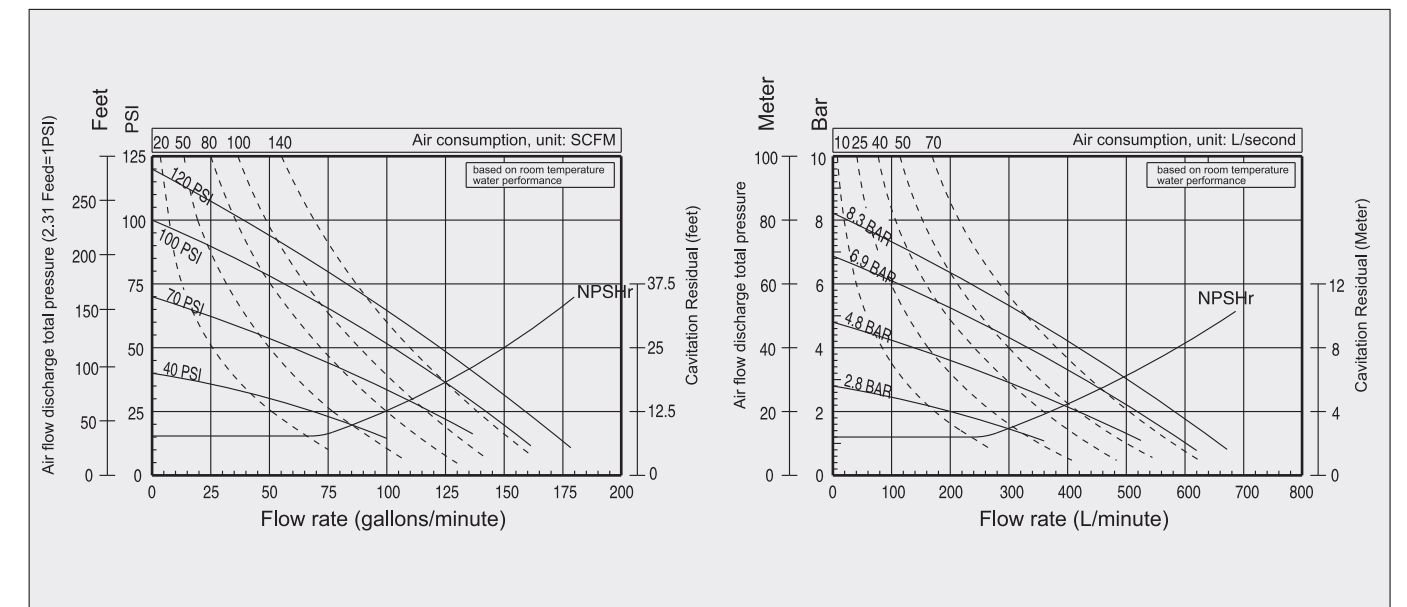
QA27	X	-	X	X	X	-	C
Motor Material Aluminum Alloy, NPT	Wetted Parts 0-Aluminum Alloy B-Stainless Steel		Seat Material 1-Aluminum Alloy 2-Stainless Steel 3-Polypropylene 4-PTFE	Ball Valve Material 4-PTFE C-HYTREL E-Santoprene	Diaphragm Material 2-Nitril 4-PTFE/Santoprene 9-HYTREL B-Santoprene		

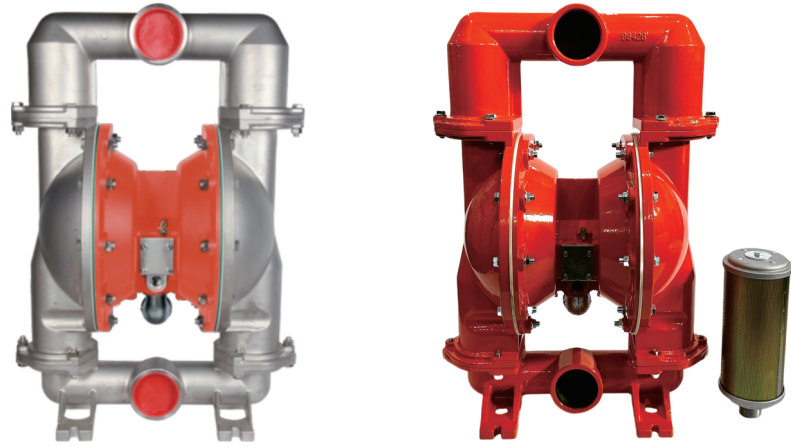
2" METALLIC SIZE



Dimensions are approximate and in millimeters

2" Metallic Pump Performance Curve





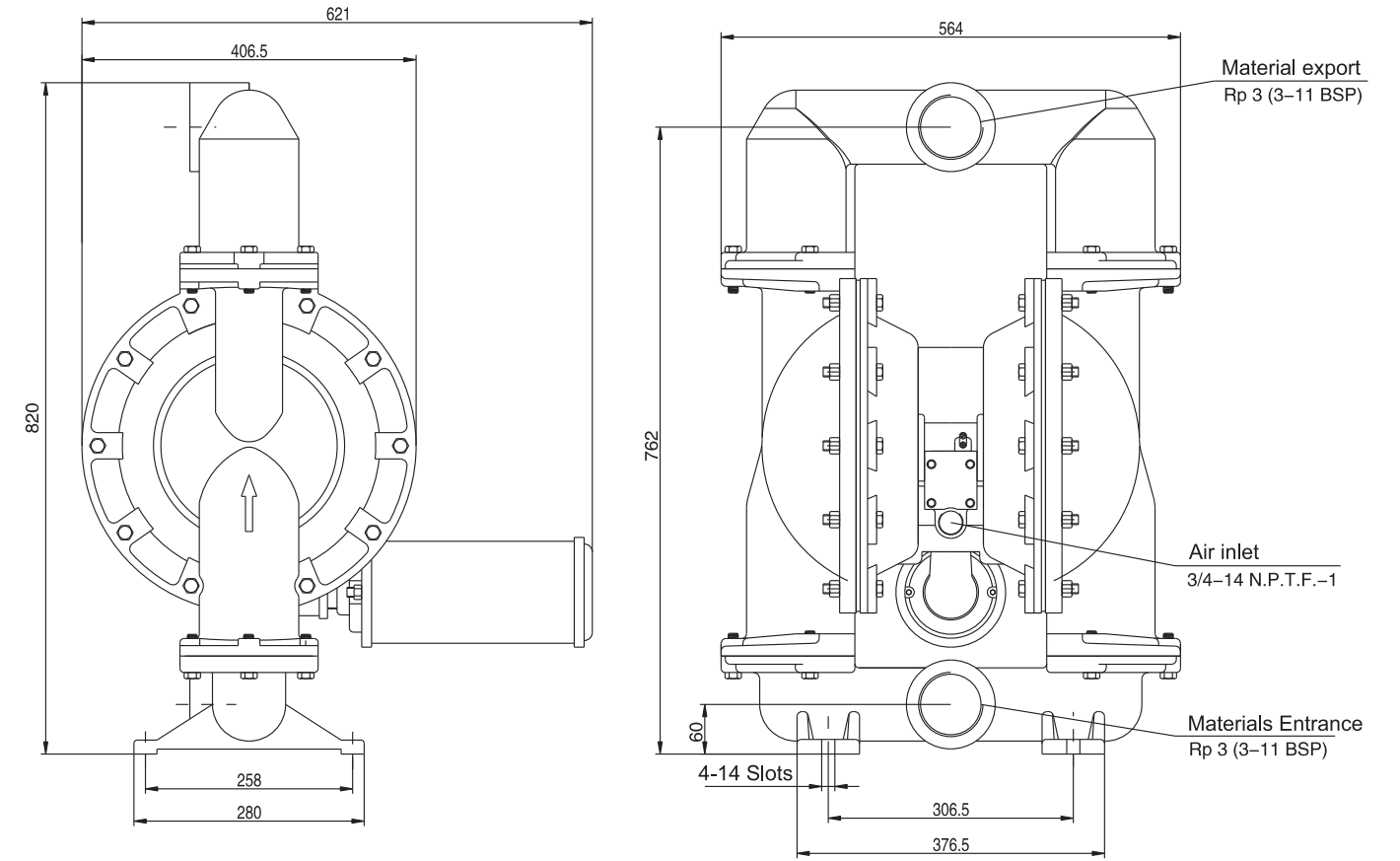
3" Metallic Pump Technical Specifications

Maximum flow:	897	Liters/minute
Displacement per cycle:	10.03	Liter
Air inlet:	3/4-14 NPT-1	
Fluid inlet:	Rp 3(3-11 BSP)	
Fluid outlet:	Rp 3(3-11 BSP)	
Maximum working pressure:	120(8.3)	psi(bar)
Maximum diameter of suspended solids:	9.5	Millimeter
Maximum dry suction height:	5.4	meter
Noise level:	PSI	Cycle/Minute
	70	60
		Decibel(A)
		86.3

Model Description

QA 32	X	-	X	X	X	-	C
Motor Material Aluminum Alloy, NPT	Wetted Parts 0-Aluminum Alloy B-Stainless Steel		Seat Material 1-Aluminum Alloy 2-Stainless Steel 3-Polypropylene 4-PTFE	Ball Valve Material 4-PTFE C-HYTREL E-Santoprene	Diaphragm Material 2-Nitril 4-PTFE/Santoprene 9-HYTREL B-Santoprene		

3" METALLIC SIZE



Dimensions are approximate and in millimeters

3" Metallic Pump Performance Curve

